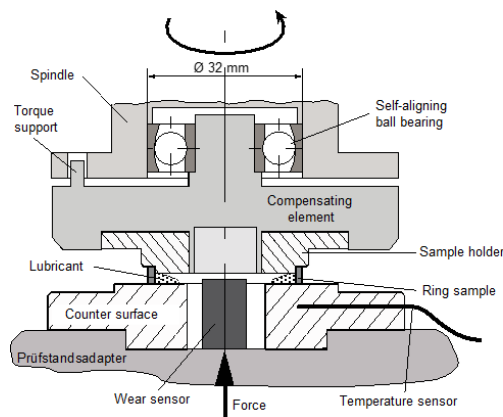


Rotary Tribometer TE 93



Sectional view test chamber

Description:

- Ring-disc test setup
- Ring-shaped test specimen (made of sealing material) is pressed onto the mating surface
- Oil or grease as lubricant
- Ring-shaped sample rotates
- Distance sensor measures wear
- Measurement of the temperature in the counter surface near the tribological contact

Technical Data:

Spindle speed:	0 ... 6.000 1/min
Contact force:	0 ... 350 N
Friction torque:	0 ... 5 Nm
Wear size:	0 ... 2000 μm
Temperature control:	20 ... 200 $^{\circ}\text{C}$

Available Test Methods:

- Friction torque characteristic
- Wear rate
- Contact temperature